



**REMOTE  
CONTROL  
PROTECTION  
FROM HEAT  
LIGHT AND  
PRYING EYES**



Elegant profile



Fabric protection



Optional Remote control

## The SC670 STRAIGHT DROP SCREEN

is a vertical screen system for use on windows, balconies, porches, verandahs, restaurant forecourts and pergolas. The fabric can be wound up and hidden away in an elegant headbox providing protection for the material. Contemporary design will compliment any building. The components blend with the window and door frames providing a reliable operating system without cumbersome hardware.

**The Hood:** Extruded aluminium powder coated.

**Bottom Rail:** Extruded aluminium powder coated.

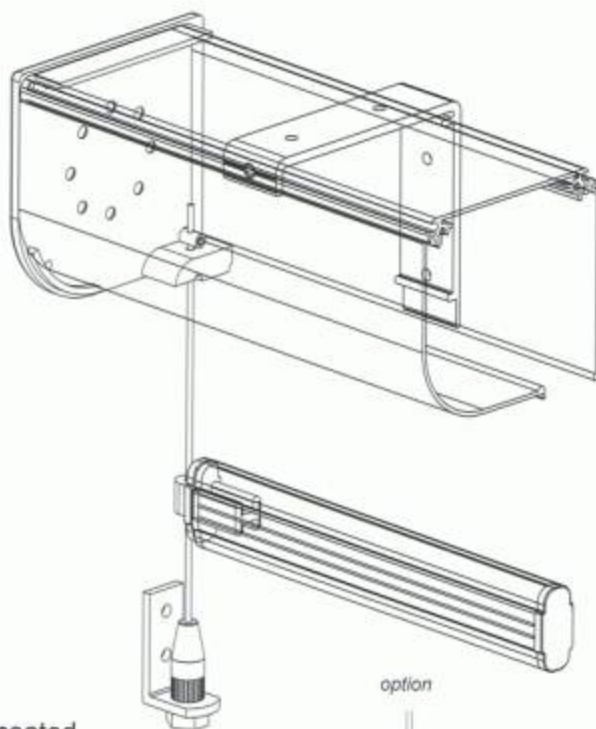
**Cable:** 2.5mm Stainless Steel

**Tensioner Fitting:** Stainless Steel with internal spring.

**Sizes:** Maximum Width - 3.5 metres (width) x 2.4 metres (drop)  
Maximum Drop - 2.5 metres (width) x 3.5 metres (drop)

**Quality:** 5 year guarantee. You can therefore expect that only the best materials were used and a high level of importance placed on providing the perfect finish

**Operation:** The SC670 Screens can be equipped with electrical operation, using a tubular motor. For the ultimate in comfort an automatic wind-sun sensor regulates the awning automatically, depending on the light intensity and the wind speed. Manual operation using a crank and gearbox is also available.



**The Hood:**  
**Bottom Rail:**  
**Cable:**  
**Tensioner Fitting:**  
**Sizes:**

Extruded aluminium powder coated.  
 Extruded aluminium powder coated.  
 2.5mm Stainless Steel  
 Stainless Steel with internal spring.  
 Maximum Width - 3.5 metres (width) x 2.4 metres (drop)  
 Maximum Drop - 2.5 metres (width) x 3.5 metres (drop)

**Quality:**

5 year guarantee. You can therefore expect that only the best materials were used and a high level of importance placed on providing the perfect finish. The SC670 Screens can be equipped with electrical operation, using a tubular motor. For the ultimate in comfort an automatic wind-sun sensor regulates the awning automatically, depending on the light intensity and the wind speed. Manual operation using a crank and gearbox is also available.

**Operation:**

The three piece hood allows for easy installation and maintenance. The Stainless Steel cables guide the bottom rail as it extends and retracts minimizing any flapping. The cables are kept tight with Stainless Steel tensioner fittings



GOODEARL FABRIC SYSTEMS Pty Ltd  
 ABN 69 480 308 940 Established 1886

Tim Davies



ABN: 29 347 907 299

58 Hampstead Way  
 Rathmines NSW 2283

M 0418 676 598

P 1300 668 187 F 02 4975 4363

www.eastcoastshadedesign.com.au

info@eastcoastshadedesign.com.au

shade sails  
 umbrellas • DIY kits  
 awnings • outdoor blinds

